

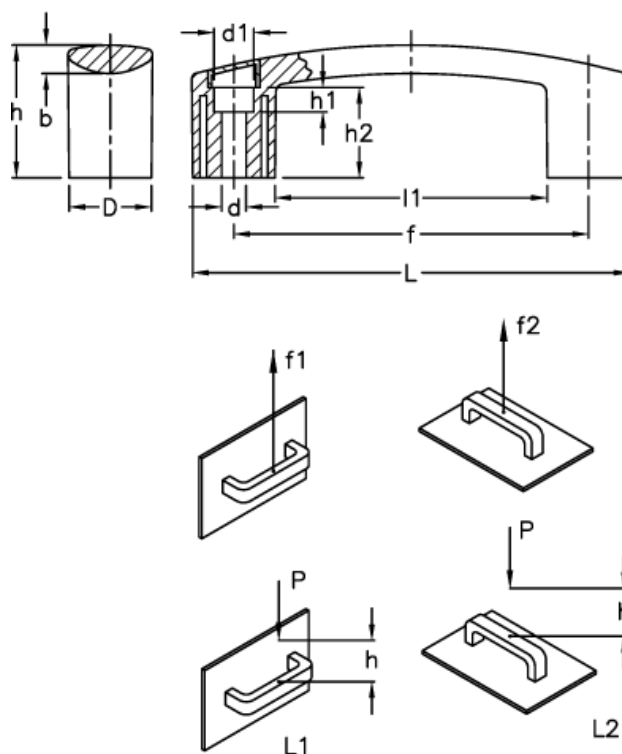
# Data Sheet



Article number: 23052604114

Description: E+G Bridge handle  
EBP.200-8-C4 Yellow

## Measures



$$L[J]=P[N]\cdot h[m]$$

b	= 9.5	h1	= 16.0
d	= 8.5	h2	= 35.0
D	= 28.5	L	= 208.5
d1	= 13.5	l1	= 150.5
f	= 179 +/-1	L1 (J)	= 16
F1 (N)	= 2200	L2 (J)	= 9
F2 (N)	= 1500		
h	= 51		